



IDC255 Pepsi Shots Post-Mix Dispenser

Specification Sheet



Features

Flavor Shot

Ability to dispense 4 bonus flavors through center nozzle and provide 8 chilled brands

Design

Exciting, contemporary design with a large, bright merchandising area with LED lighting and clean brand identification

IntelliCarb™

Meets IntelliCarb™ specification

Beverage Quality

Consistent high quality beverage meeting Pepsi product specifications

ADA Compliant

Meets ADA (American Disabilities Act) guidelines

Reliability

Utilizes proven IDC255 cooling and dispensing components

Flexibility

Equipped with TotalFlex™ to provide easy changeover from carb to NCB

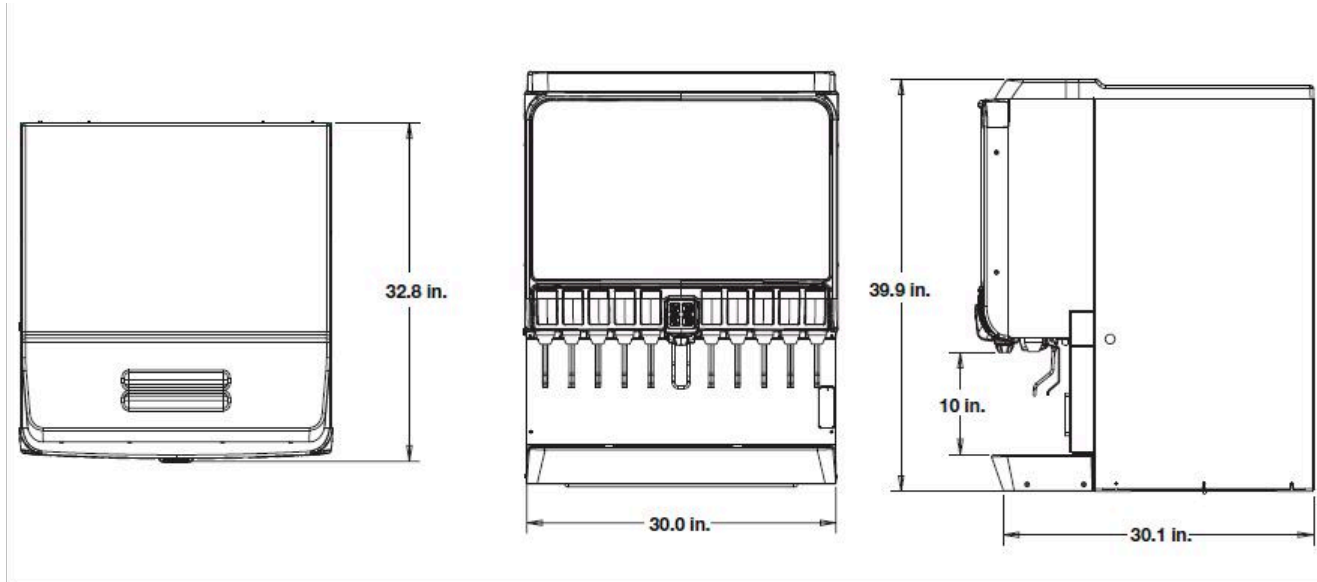
Durability

One piece ABS thermoformed ice storage hopper. Provides durability and ensures all ice in the hopper is dispensed



IDC255 Pepsi Shots Post-Mix Dispenser

Specification Sheet



Part Number	Description
621058700	IDC255BCH 8 UFB SL 115/60 Shots
621058701	IDC255BCH 10 UFB SL 115/60 Shots
Includes integrated Icemaker Adapter Kit	
Includes carbonator pump and motor	

Technical Specifications

Electrical Requirements	120v/60Hz/9Amp
Type Of Valves	UFB & MFV (UFB technology)
Number Of Brands	8 or 10
Flavors	4
Cup Clearance	9.75" (248mm)
Ice Capacity	250lbs (113.4kg)
Merchandising Area	17.3"H x 28.8"W
Legs	Includes 4" adjustable legs

Water Connection	0.375 in (9.5mm) barb
Syrup Connection	0.375 in (9.5mm) barb
Drain Size	1"
Shipping Weight	376lbs (170.6kg)
Agency Listings	 

To learn more about the **Cornelius IDC255 Pepsi Shots**, visit cornelius.com

Pepsi And IntelliCarb Are Registered Trademarks Of Pepsi Co, Inc.

© 2025 Marmon Foodservice Technologies, Inc 250630
All sales subject to terms and conditions applicable at time of sale. marmonfoodservice.com/tandcsale

